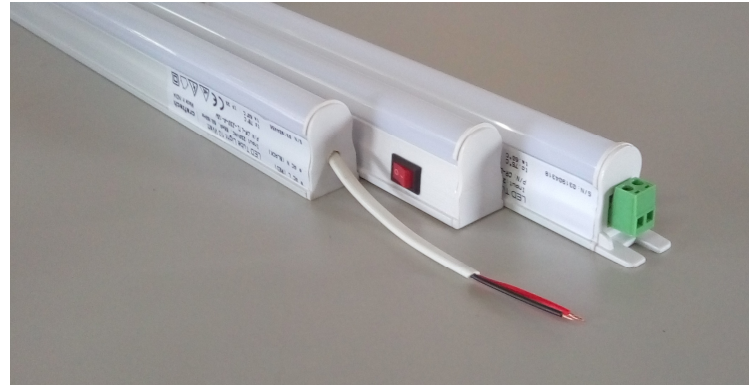


Luminaries for Electrical Panel LED Tube Light



Features

- Slim LED Light for Electrical Panel Industry
- Diffused Cool White Light for Strain less Working
- Powder Coated aluminum main body
- Suitable for Ceiling Mounting and Wall Mounting
- Designed for Small and Large Electrical Panels
- Sleek & Compact Design
- Longer Life of 50000 Hrs
- Quick and Easy to Install
- Integrated Power Unit
- Availble with Clamp, Screw and Magnet Mounting



Specifications

Operating Voltage	Dimension mm / inch (l x w x h)
3 Watt, AC 240 V (Min AC 200 V, Max AC 265 V) 50 /60Hz	125 x 22 x 36 / 4.92" x 0.86" x 1.41"
3 Watt, AC 110 V (Min AC 100 V, Max AC 130 V) 50 /60Hz	125 x 22 x 36 / 4.92" x 0.86" x 1.41"
6 Watt, AC 240 V (Min AC 200 V, Max AC 265 V) 50 /60Hz	235 x22 x 36 / 9.25" x 0.86" x 1.41"
8 Watt, AC 240 V (Min AC 200 V, Max AC 265 V) 50 /60Hz	300 x 22 x 36 / 12" x 0.86" x 1.41"
10 Watt, AC 240 V (Min AC 200 V, Max AC 265 V) 50 /60Hz	350 x 22 x 36 / 13.77" x 0.86" x 1.41"
10 Watt, AC 110 V (Min AC 100 V, Max AC 120 V) 50 /60Hz	350 x 22 x 36 / 13.77" x 0.86" x 1.41"
10 Watt, DC 110/220V (Min 90 V, Max 220 V)	350 x 22 x 36 / 13.77" x 0.86" x 1.41"
10 Watt, AC 240 V (Min AC 200 V, Max AC 265 V) 50 /60Hz	350 x 22 x 36 / 13.77" x 0.86" x 1.41"
12 Watt, AC 240 V (Min AC 200 V, Max AC 265 V) 50 /60Hz	350 x 22 x 36 / 13.77" x 0.86" x 1.41"
12 Watt, AC 110 V (Min AC 100V, Max AC 120 V) 50/60Hz	350 x 22 x 36 / 13.77" x 0.86" x 1.41"
15 Watt, AC 240 V (Min AC 200 V, Max AC 265 V) 50 /60Hz	470 x 22 x 36 /18.5" x 0.86" x 1.41"
3 Watt, DC 48 V (Min DC 30 V, Max DC 60 V)	120 x 22 x 36 /4.72" x 0.86" x 1.41"
5 Watt, DC 24 V (Min DC 18 V, Max DC 30 V)	235 x22 x 36 / 9.25" x 0.86" x 1.41"
10 Watt, DC 24 V (Min DC 18 V, Max DC 30 V)	485 x22 x 36 / 19.00" x 0.86" x 1.41"

Technical Data

LED type	SMD2835, LM80 approved
Colour Temp (CCT)	6500 K
Luminous Efficiency	100lm/watt
Beam Angle	120 Deg
CRI (min)	80
Storage Temperature	-20 ^o C to + 75 ^o C
Operating Temperature	-10 ^o C to + 65 ^o C
Protection class	IP 20
Service Life	50,000 Hrs @ 25 ^o C
Accessories	2 nos Clamps for Clamp mounting, Wire for Input Supply or Connector for Input Supply
Housing Material	PC + Aluminium

Information in the datasheet is subject to modification without prior notice

Craftech, 354, II floor, Mulay I Square,
Opp. Siemens, MIDC, Ambad, Nashik – 422010, INDIA

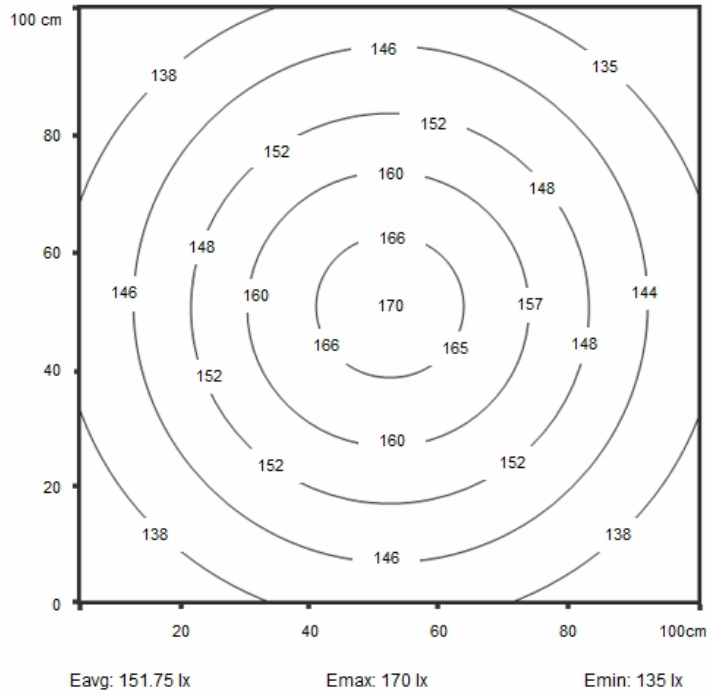
CraftechTM
Enhancing Business Performance
Email: info@craftech.co.in
www.craftech.co.in

Luminaries for Electrical Panel

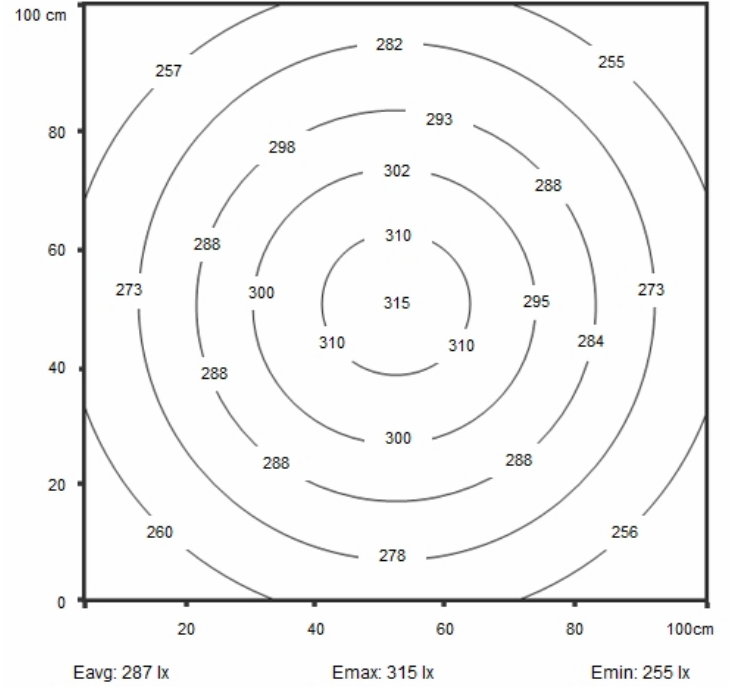
LED Tube Light

Lux Diagram

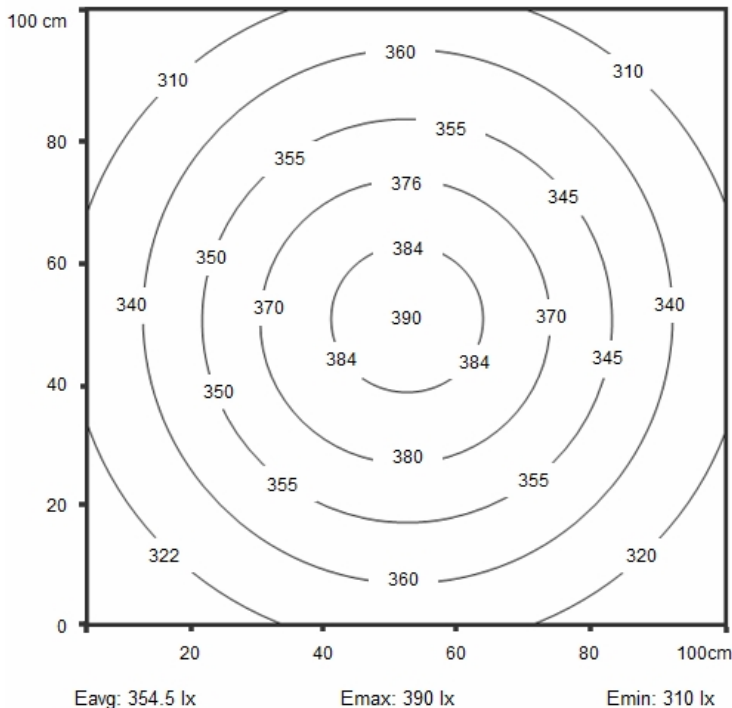
3 watt, 230 VAC LED tube Light Lux Diagram
Light Mounting att 100cm



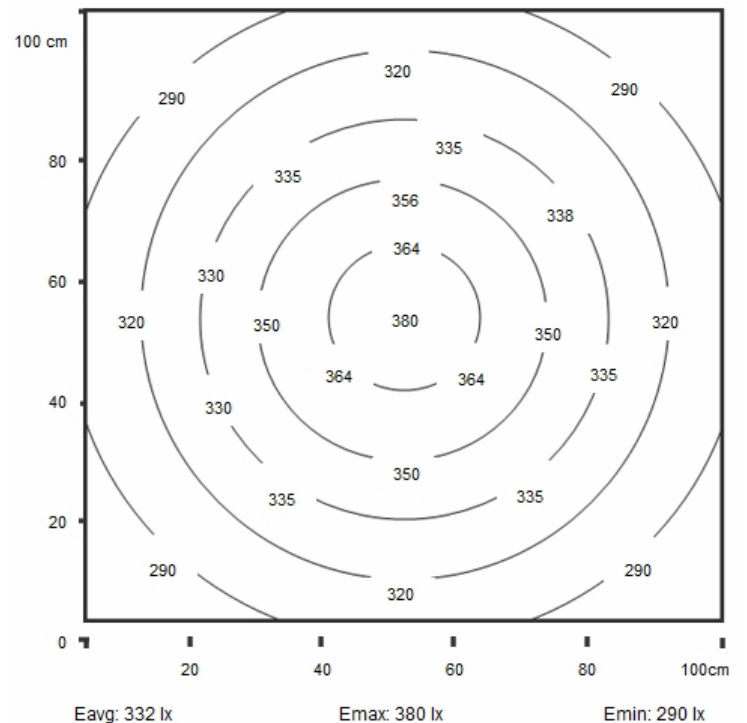
6 watt, 230 VAC LED tube Light Lux Diagram
Light Mounting att 100cm



10 watt, 230 VAC LED tube Light Lux Diagram
Light Mounting att 100cm



8 watt, 230 VAC LED tube Light Lux Diagram,
Light mounting at 100 cm



Information in the datasheet is subject to modification without prior notice

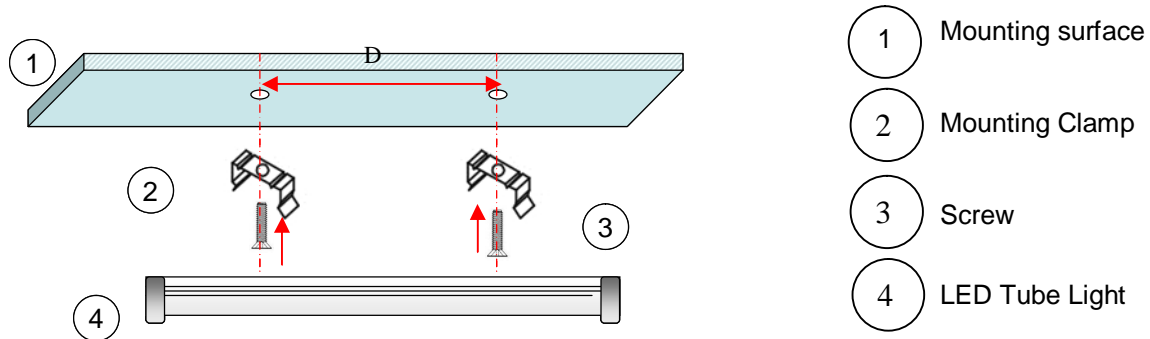
Craftech, 354, II floor, Mulay I Square,
Opp. Siemens, MIDC, Ambad, Nashik – 422010, INDIA

CRAFTECH
Enhancing Business Performance
Email: info@craftech.co.in
www.craftech.co.in

Luminaries for Electrical Panel

LED Tube Light

Installation Diagram for clamp fitting



Note:

Use M3 CSK screw for clamp fitting

Use M5/M6 screw for Screw fitting
(Torque 2 Nm Max)



Recommended mounting dimension

Product	Hole distance for Clamp fitting	Hole distance for Screw Fitting
3 watt , 230 VAC LED tube light (125 x 22 X 36)	60 mm	145 mm
6 watt , 230 VAC LED tube light (235 x 22 X 36)	150 mm	255 mm
10/12 watt , 230 VAC LED tube light (350 X 22 X 36)	230 mm	370 mm

Connection Diagram

